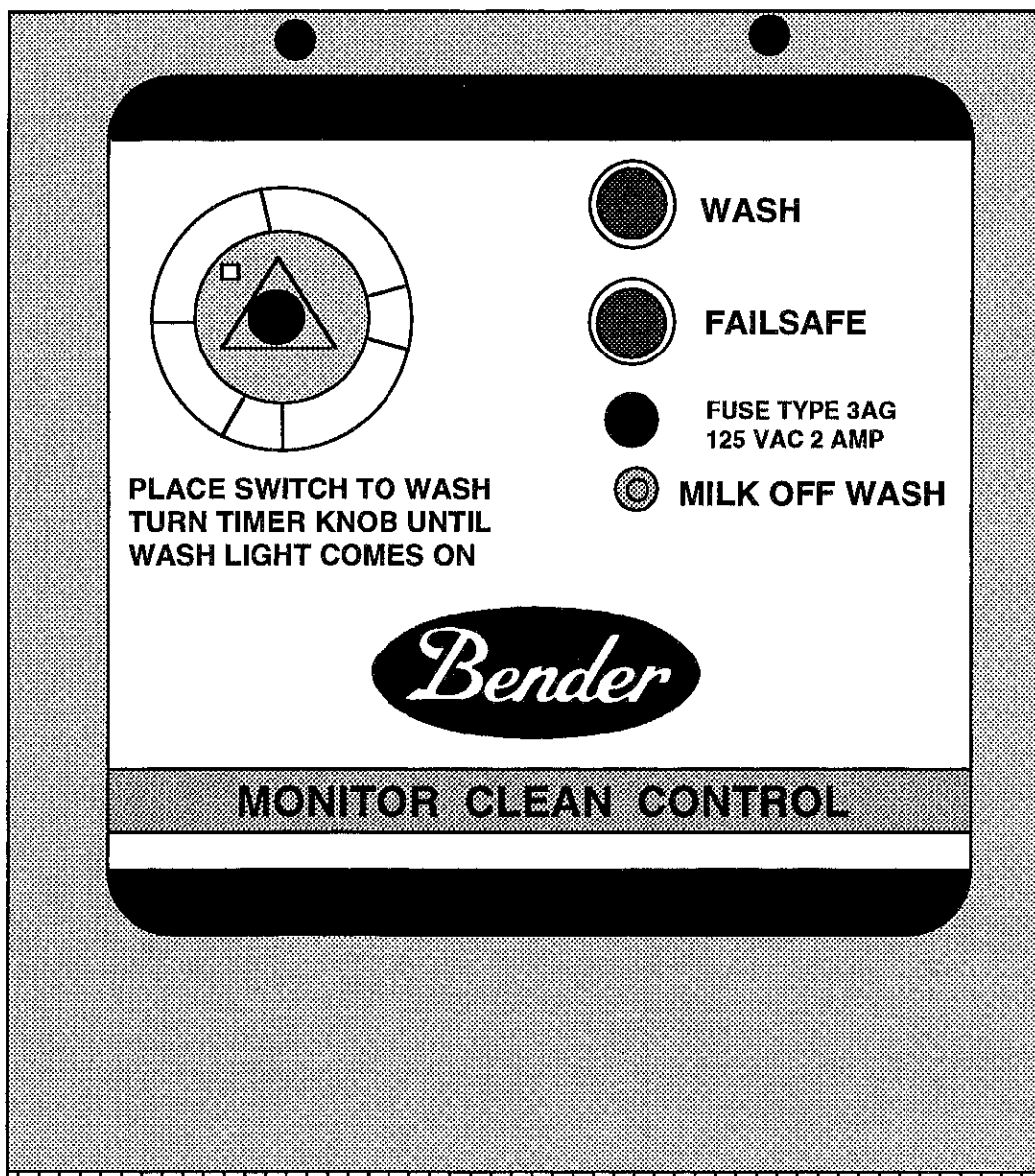




## 8950 TIMER CONTROL MODULE

- 1 STANDARD 8 MINUTE WASH CYCLE
- 2 ELECTRO - MECHANICAL TIMING
- 3 FAILSAFE
- 4 24-HOUR CLOCK FOR AUTOMATIC PRE-SANITIZE
- 5 DOOR INTERLOCK





## **8950 TIMER CONTROL MODULE INSTALLATION**

1. Install the module on the wall.
  - A. If possible, do not install above the wash vat.
  - B. 10' of 1/4" OD rigid tubing has been provided for the pressure switch line.
2. Route the 1/4" OD rigid tubing between the flexible tubing on the pressure switch and the rubber bushing, on the input plate. Tubing should be sloped for self-draining so condensation does not accumulate.
3. Wiring the control box: All wiring on installation should be done according to National Electrical Code and Local Regulations. Be absolutely certain this unit is grounded to an approved ground. Ground both modules.
  - A. POWER INPUT: 115 VAC 60 HZ. SINGLE PHASE. Input terminal L1, N for Neutral and Ground.
  - B. The terminal blocks marked 1 through 6 are to be interconnected 1 to 1, 2 to 2, 3 to 3, 4 to 4, 5 to 5 and 6 to 6 between the control and dispenser modules.
  - C. REMOTE WATER VALVES: The HOT valve is wired to 3 and the COLD valve is wired to 6 on the terminal block marked 1 through 6. The water valve neutrals are wired to the main neutral buss on the 16 position terminal block. The REMOTE WATER VALVE coils must not have a rating higher than **2 amp**. **Do not** fill the wash tank or vat faster than the time it takes to put the required amount of chemical in.

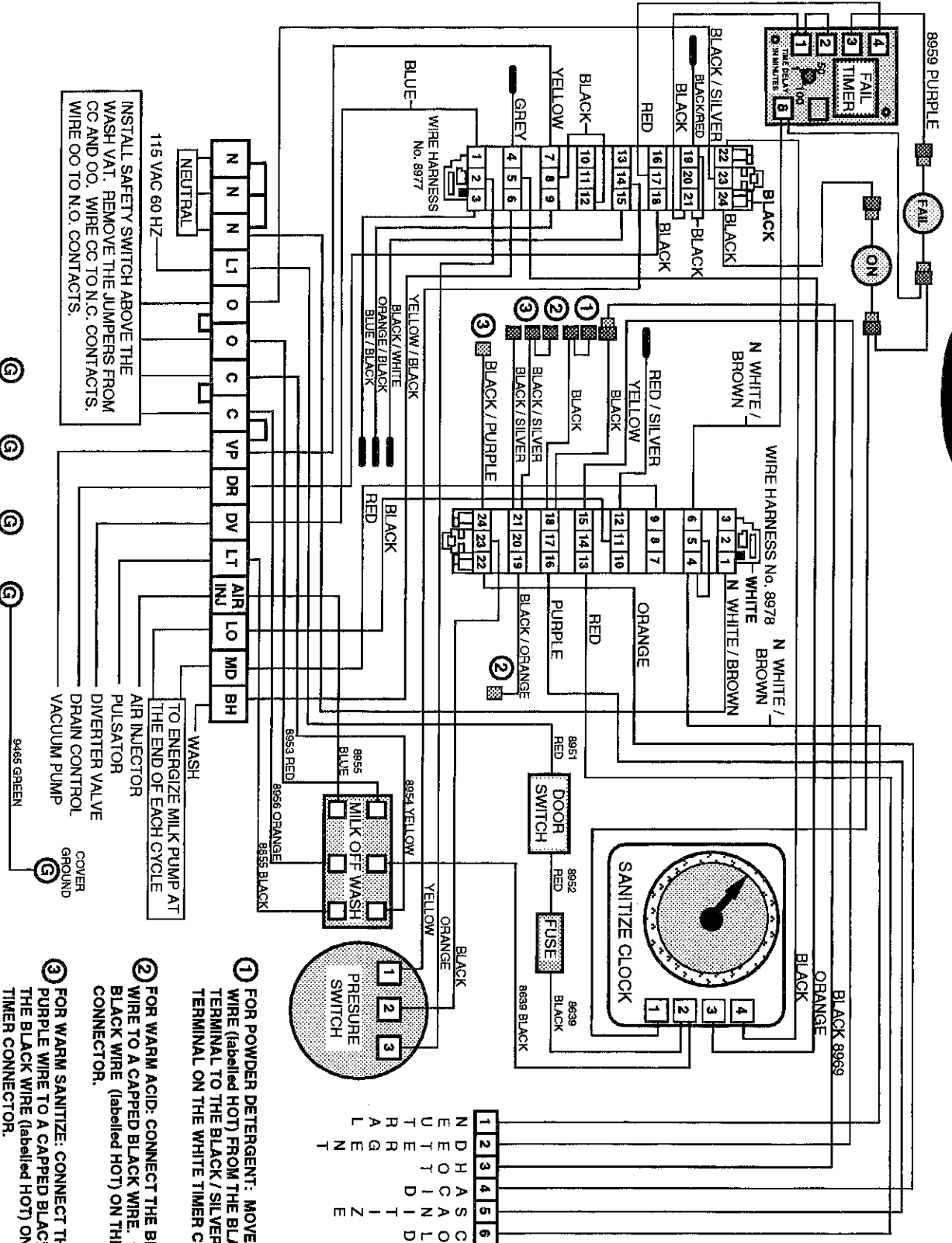
This unit has a door interlock. Pull the button out to operate the unit with the door open. Door screws must be tightened far enough to energize this interlock.

### **ADJUSTMENTS**

1. FAILSAFE TIMER--This timer is adjustable up to 100 minutes. It monitors the time it takes to complete the wash cycle through the second rinse. It should be adjusted to a time greater than the time it takes to complete the entire wash cycle. Keep in mind, water pressure changes, cow drinking, etc. If this timer times out, the failsafe light will come on and the control unit stops.
2. FIRST RINSE AND WASH--See 9750 sequence control rinse and wash notes for ADJUSTMENT procedure.
3. 24-HOUR CLOCK--The 24-hour clock will only advance the main timer when the dial is in the "OFF" position, between the second rinse and sanitize.
  - A. Pull two (orange) trippers "ON" one hour before milking.
  - B. Turn (orange) tripper dial to time pointer to set time of day.



# 8950 WIRING DIAGRAM



115 VAC 60 HZ SINGLE PHASE 3 WIRE BE ABSOLUTELY CERTAIN THIS UNIT IS GROUNDED TO AN APPROVED GROUND.

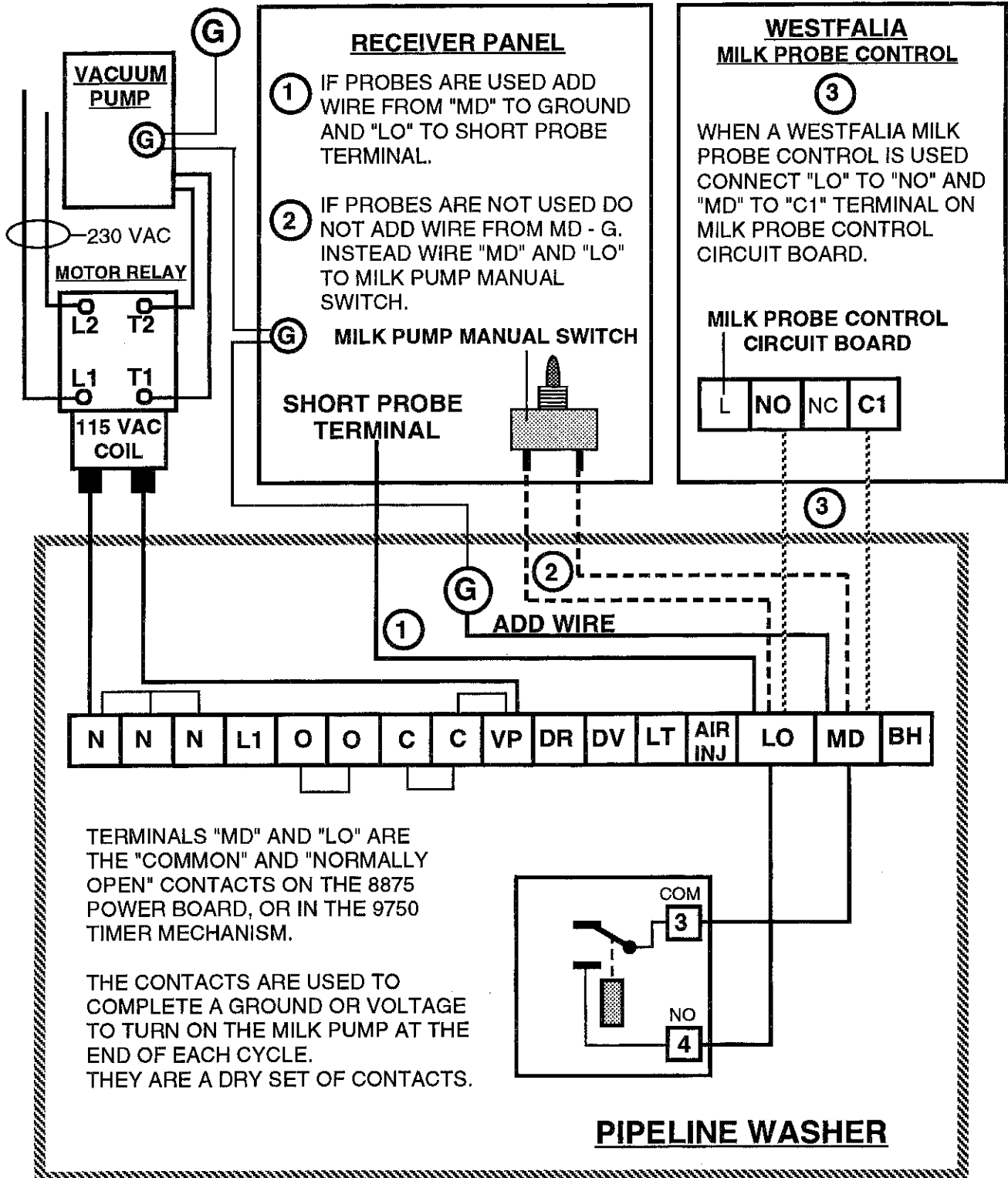
ALL OUTPUT LOADS GREATER THAN 1 AMP. REQUIRE A 115 VAC CONTACTOR INTERFACE.

ALL WIRING ON INSTALLATION SHOULD BE DONE ACCORDING TO NATIONAL ELECTRICAL CODE AND LOCAL REGULATIONS.

- ① FOR POWDER DETERGENT: MOVE THE BLACK WIRE (labelled HOT) FROM THE BLACK WIRE TERMINAL TO THE BLACK / SILVER WIRE TERMINAL ON THE WHITE TIMER CONNECTOR.
- ② FOR WARM ACID: CONNECT THE BLACK / ORANGE WIRE TO A CAPPED BLACK WIRE. NEXT TO A BLACK WIRE (labelled HOT) ON THE WHITE TIMER CONNECTOR.
- ③ FOR WARM SANITIZE: CONNECT THE BLACK / PURPLE WIRE TO A CAPPED BLACK WIRE. NEXT TO THE BLACK WIRE (labelled HOT) ON THE WHITE TIMER CONNECTOR.

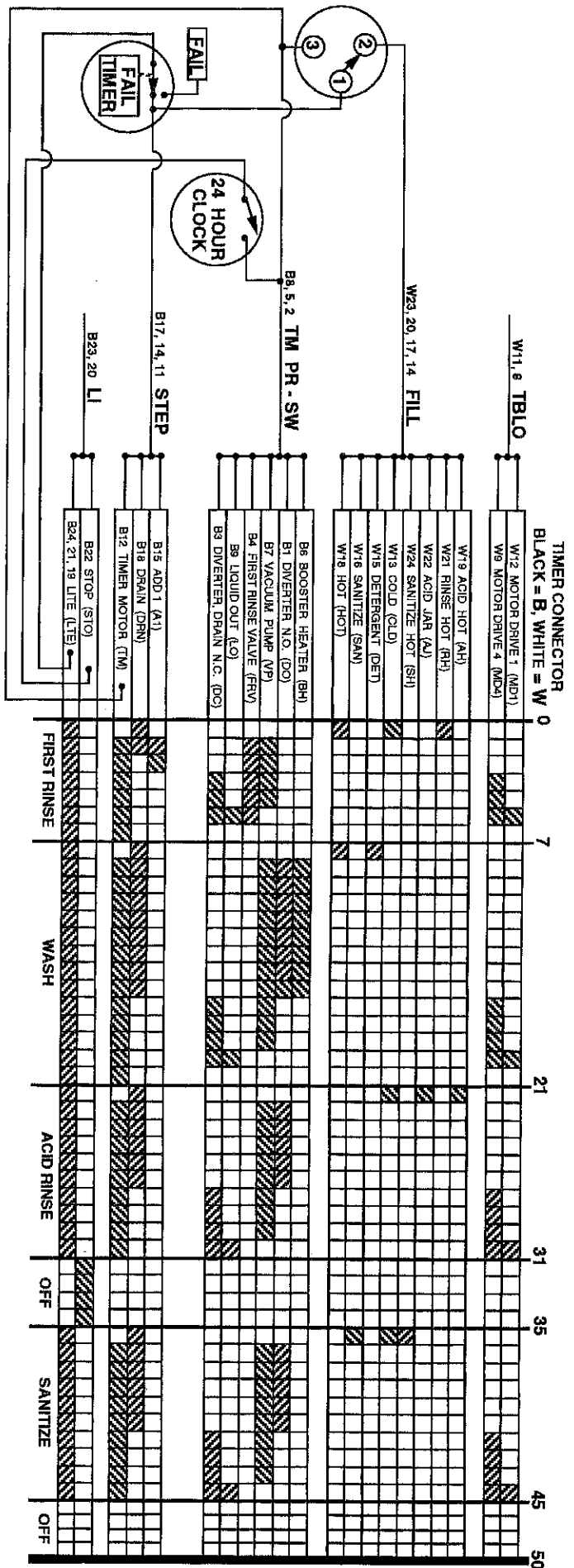


## EXTERNAL WIRING DIAGRAM





# 9750 SEQUENCE CONTROL



**FIRST RINSE AND WASH NOTES:**

Washer is wired for a 1 min. RINSE, 3 min. normally open DRAIN, and a 8 min. WASH.

1. For a 2 min. rinse, 2 min. normally open drain: Connect the black / white wire in the black timer connector, to the DR terminal on the 16 position terminal block.

2. For first rinse valve: Connect to the grey wire in the black timer connector.

3. To run milk pump 1 min. at the end of each cycle: Replace the red wire in the MD terminal on the 16 position terminal block, with the red / silver wire in the white timer connector.

4. Jar models are wired for liquid detergent. When using Powder detergent, move the black wire (labelled HOT) from the black wire terminal to the black / silver wire terminal on the white timer connector.

**ACID RINSE, SANITIZE, DRAIN, AND DIVERTER NOTES:**

1. For warm acid: Connect the black / orange wire to a capped black wire. Next to a black wire (labelled HOT) on the white timer connector.

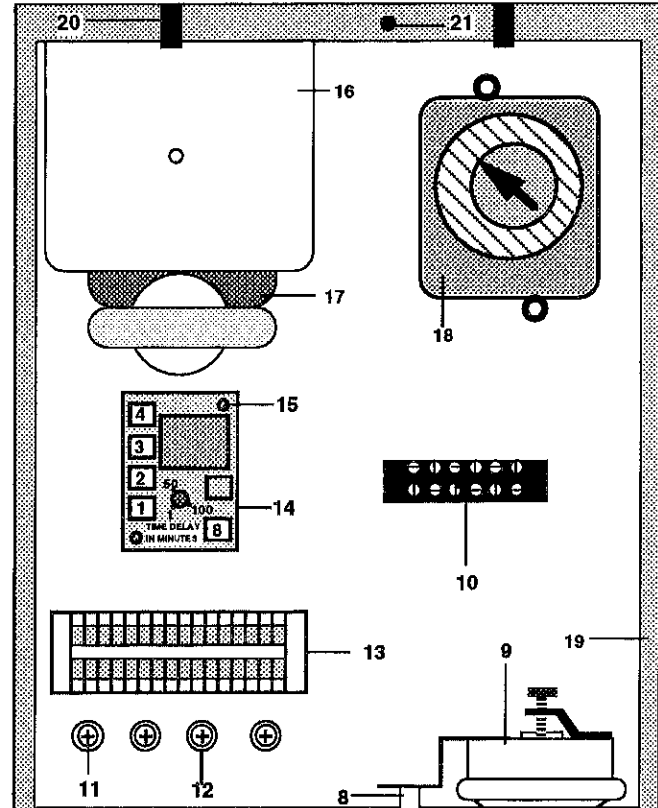
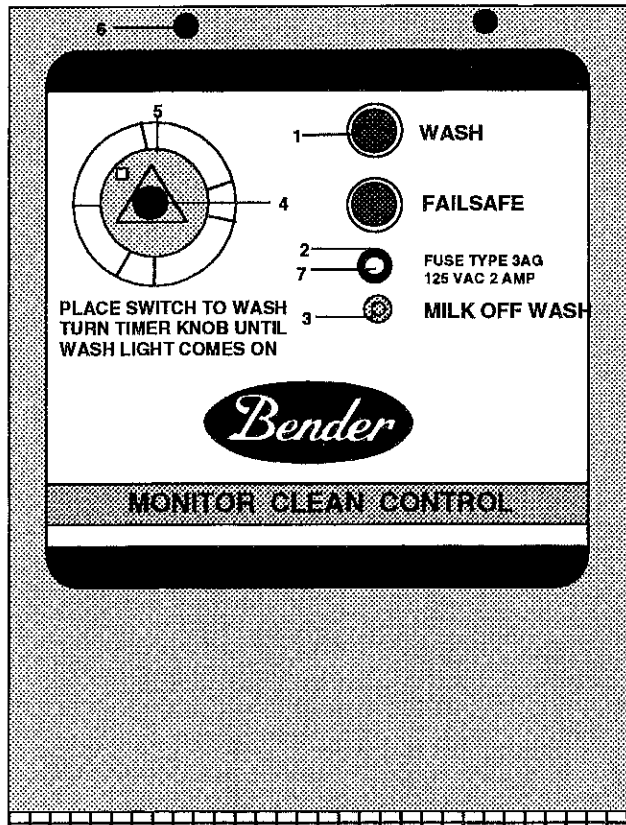
2. For warm sanitizer: Connect the black / purple wire to a capped black wire. Next to a black wire (labelled HOT) on the white timer connector.

3. For a normally closed drain control, or diverter valve: Replace the wire in the DR, or DV terminal on the 16 position terminal block, with the blue / black wire in the black timer connector.

4. For 1 min. of power at the end of each cycle: Connect to the orange / black wire in the black timer connector.



# 8950 PARTS



ITEM	DESCRIPTION	PART NO.
1	ON AND FAIL LAMP	8249
2	FUSEHOLDER	2832
3	TOGGLE SWITCH	6265
4	TIMER KNOB	8254
5	DIAL INDICATOR	8234
6	S. S. SCREW 10-24	6140
7	FUSE - 115 VAC 2 AMP	2831
8	SPACER	6139
9	PRESSURE SWTCH	5513
10	TERMINAL BLOCK 6 POS.	8836
11	S.S. SCREW 10-32	6135
12	RETENTION WASHER	2677
13	TERMINAL BLOCK 16 POS.	8886

ITEM	DESCRIPTION	PART NO.
14	FAIL TIMER - 100 MINUTE	8926
15	S.S.SCREW 8-32 X 1.0"	6159
16	TIMER BRACKET	8232
17	TIMER	9750
	TIMER MOTOR - .8 RPM 120VAC / 50-60 HZ	9755
18	24-HOUR CLOCK	9257
19	S.S. CASE ASSEMBLY	8920
20	SHEET METAL NUT 10-24	6136
21	DOOR SWITCH	9258
	S.S. NUT 6-32 (not shown)	6121



## 8950 TROUBLESHOOTING GUIDE

PROBLEM	POSSIBLE CAUSE
1. Vacuum pump does not start for milking.	<ul style="list-style-type: none"> <li>a. No voltage on input L1.</li> <li>b. Circuit breaker tripped.</li> <li>c. Defective circuit breaker.</li> <li>d. Defective MILK OFF WASH switch.</li> <li>e. Defective safety switch.</li> <li>f. Defective door interlock switch.</li> </ul>
2. Unable to start the washing cycle.	<ul style="list-style-type: none"> <li>a. Defective MILK OFF WASH switch.</li> </ul>
3. On light only.	<ul style="list-style-type: none"> <li>a. Defective fail timer.</li> </ul>
4. No water on any cycle.	<ul style="list-style-type: none"> <li>a. Defective pressure switch.</li> </ul>
5. Fail light with wash vat overflowing on any fill.	<ul style="list-style-type: none"> <li>a. Defective pressure switch.</li> <li>b. Air leak on pressure switch tubing.</li> </ul>
6. Milk pump does not run at the end of each cycle.	<ul style="list-style-type: none"> <li>a. Defective L.O. relay.</li> <li>b. Defective main timer.</li> </ul>
7. Fail light after wash vat is filled.	<ul style="list-style-type: none"> <li>a. Pressure switch not starting the main timer.</li> </ul>
8. Fail light intermittently in the second rinse or wash.	<ul style="list-style-type: none"> <li>a. Changing water pressure and Failsafe timer not adjusted long enough.</li> </ul>
9. Sanitize works morning or evening only	<ul style="list-style-type: none"> <li>a. Only one tripper on 24-hour clock pulled out.</li> </ul>
10. Sanitizes immediately after washing.	<ul style="list-style-type: none"> <li>a. 24-hour clock has not turned itself off.</li> </ul>
11. Sanitize does not start by itself	<ul style="list-style-type: none"> <li>a. No trippers on 24-hour clock pulled out.</li> <li>b. Defective 24-hour clock.</li> <li>c. Defective main timer.</li> </ul>